



### ACTUATOR SELECTION

To select an actuator for a particular valve and service, first determine the maximum operating torque that will be required from the applicable valve bulletin. Then refer to the appropriate torque output table and select an actuator that will, at the available supply pressure, provide a torque output no less than the required operating torque for the

valve. For spring-return units, both the spring torque and the air torque must be sufficient. In the event confirmation is desired for the selection of an actuator under specific service conditions, include full details on trim, seat materials, and media characteristics.

Actuator Model		Air Volume						Bore Diam.		Moving Time Seconds <sup>1</sup>		Weight	
		in. <sup>3</sup>			ml								
		Opening	Closing	Swept	Opening	Closing	Swept	in.	mm	Opening	Closing	lb.	kg
VPVL051	DA	5.5	9.2	3.4	90.1	150.8	55.5	1.97	50	0.2	0.3	2.2	1.0
	SR		-			-				0.3	0.3	2.4	1.1
VPVL100	DA	9.8	15.9	6.0	160.6	260.6	97.8	2.48	63	0.3	0.3	3.5	1.6
	SR		-			-				0.3	0.4	3.7	1.7
VPVL200	DA	18.9	29.9	11.8	309.7	490	194.1	2.95	75	0.3	0.4	6.0	2.7
	SR		-			-				0.4	0.5	6.8	3.1
VPVL250	DA	31.1	47.6	18.6	509.6	780	305.4	3.46	88	0.4	0.5	8.2	3.7
	SR		-			-				0.5	0.6	9.5	4.3
VPVL300	DA	43.3	67.7	27.1	709.6	1109	443.7	3.94	100	0.5	0.7	11.5	5.2
	SR		-			-				0.6	0.8	13.4	6.1
VPVL350	DA	72.6	109.8	43.8	1190	1799	717.2	4.53	115	0.7	0.9	17.6	8.0
	SR		-			-				0.8	1.1	20.5	9.3
VPVL400	DA	94	143	56	1540	2443	924	4.92	125	0.9	1.2	21.6	9.8
	SR		-			-				1.1	1.4	25.8	11.7
VPVL450	DA	147	231	89	2409	3765	1451	5.71	145	1.2	1.5	31.3	14.2
	SR		-			-				1.4	1.8	38.4	17.4
VPVL500	DA	192	300	116	3146	4916	1893	6.30	160	1.5	1.8	39.9	18.1
	SR		-			-				1.7	2.1	49.2	22.3
VPVL550	DA	260	420	156	4261	6883	2556	7.09	180	2.0	2.4	53.6	24.3
	SR		-			-				2.2	2.8	72.1	32.7
VPVL600	DA	362	577	217	5932	9455	3549	7.87	200	2.7	3.5	75.2	34.1
	SR		-			-				3.2	4.0	92.4	41.9
VPVL650	DA	610	928	364	10000	15200	5963	9.45	240	3.5	4.1	116	52.7
	SR		-			-				4.0	4.6	148	67.3
VPVL700	DA	885	1305	528	14503	21385	8655	10.43	265	4.0	4.5	163	74.0
	SR		-			-				4.5	5.0	205	93.0
VPVL800	DA	1526	2441	917	25000	40000	15032	12.99	330	6.0	7.0	280	127.0
	SR		-			-				7.5	8.5	373	169.0

**NOTES:**  
 (1) The above times are based on the following conditions: A) Room temperature, B) Solenoid valve orifice diameter of 4 mm (5/32 in.) and a flow rate capacity of 400 L/min (14.1 cfm), C) Minimum inner piping diameter of 8 mm (5/16 in.), D) 5.5 bar (80 psi) air supply pressure, E) Without valve loading.

## ACTUATOR SELECTION (CONTINUED) SPRING RETURN

Actuator Model	Spring-Return Torque Output		Air Torque Output at Specified Supply Pressure			
	FT•LBS	N•m	FT•LBS, @ 60 psi	N•m @ 4.2 bar	FT•LBS @ 80 psi	N•m @ 5.5 bar
051 SR4/5	4.4	6.0	3.1	4.2		
051 SR6	5.9	8.0			4.1	5.6
100 SR4/5	7.4	10	6.7	9.1		
100 SR6	9.8	13.3			8.9	12
200 SR4/5	14.7	19.9	13	17		
200 SR6	19.6	26.5			17	23
250 SR4/5	24.3	33	18	24		
250 SR6	32.5	44.5			23	32
300 SR4/5	33.6	45.6	29	39		
300 SR6	44.9	60.8			38	52
350 SR4/5	54.4	73.8	44	60		
350 SR6	72.6	98.4			59	80
400 SR4/5	69.7	95	60	81		
400 SR6	93	126			80	108
450 SR4/5	109	148	94	128		
450 SR6	146	198			126	170
500 SR4/5	149	202	126	170		
500 SR6	199	269			168	227
550 SR4/5	210	285	153	208		
550 SR6	280	379			204	277
600 SR4/5	282	383	231	313		
600 SR6	376	510			308	418
650 SR4/5	479	649	399	541		
650 SR6	638	865			532	721
700 SR4/5	724	981	520	705		
700 SR6	966	1308			693	940
800 SR4/5	1221	1656	1105	1499		
800 SR6	1628	2207			1474	1999

## DOUBLE ACTING

Actuator Model	Torque Output in FT•LBS - VPVL XXDA Double-Acting Actuator at Specified psi Supply Pressures						
	40 psi	50 psi	60 psi	70 psi	80 psi	90 psi	100 psi
VPVL 051	6.8	8.5	10.1	11.8	13.5	15.2	16.9
VPVL 100	12	14.9	17.9	20.9	23.9	26.8	29.8
VPVL 200	23.7	29.6	35	41	47	53	59
VPVL 250	37.2	46.6	55	65	74	83	93
VPVL 300	54	67.6	81	94	108	122	135
VPVL 350	87.5	109	131	153	175	197	219
VPVL 400	113	141	169	197	225	254	282
VPVL 450	177	221	265	310	354	398	442
VPVL 500	231	289	346	404	462	519	577
VPVL 550	312	390	467	545	623	701	779
VPVL 600	433	541	649	757	866	974	1082
VPVL 650	727	909	1091	1272	1454	1636	1818
VPVL 700	1055	1319	1583	1847	2111	2375	2638
VPVL 800	1833	2291	2749	3207	3665	4123	4581

Actuator Model	Torque Output in N•m - VPVL XXDA Double-Acting Actuator at Specified bar Supply Pressures						
	2.7 bar	3.5 bar	4.2 bar	4.8 bar	5.5 bar	6.2 bar	6.9 bar
VPVL 051	8.9	11.6	14	16	18.3	20.7	23
VPVL 100	16	20.5	24.6	28.1	32	36	40
VPVL 200	31	40	48	55	64	72	80
VPVL 250	48	66	79	90	103	117	130
VPVL 300	68	93	112	128	146	165	184
VPVL 350	115	150	181	207	236	266	296
VPVL 400	143	194	233	266	305	344	383
VPVL 450	224	304	365	417	478	539	600
VPVL 500	293	397	477	545	624	703	782
VPVL 550	395	536	643	735	842	949	1056
VPVL 600	575	745	893	1021	1170	1319	1468
VPVL 650	986	1232	1479	1725	1971	2218	2465
VPVL 700	1338	1815	2179	2490	2853	3216	3579
VPVL 800	2485	3106	3727	4348	4969	5590	6211

## OPTIONS

### Solenoid Valves

Direct-mounted solenoid valves are available in both 3-way and 4-way configuration, which mount directly to the actuator in accordance with NAMUR and VDI/VDE 3845 standards, excluding the VPVL650, 700 and 800. In general, 3-way solenoids are used for spring-return actuators and 4-way versions for double-acting.

Direct-Mount Solenoid Valves		
Part Number	031-0576-01	031-0580-01
Enclosure	NEMA IV	NEMA VII
Configuration	3 or 4-way	
Pipe Size	1/4" Inlet, 1/8" Exhaust	
Cv	0.7	
Voltage	Standard: 120 VAC 60 Hz (110/50) Optional: 240 VAC 60 Hz, 12 VDC, 24 VDC	
Body Material	Black Anodized Aluminum	
Power Consumption	AC: 6.9 watts or DC: 6.3 watts	
Humidity Resistant	Feature rebreather and are suitable for humid & tropical environment	

**NOTE:** Please consult factory for other solenoid valves or additional options including special voltages, double solenoids, special electrical connections, etc.

### Mechanical Safety Lockout

To comply with the intent of OSHA requirements for locking actuators in position prior to performing maintenance, an actuator can have the mechanical safety lockout option added to it. Design of the stop cam allows for locking the actuator in either the full-open or full-closed position. Actuators equipped with this option have a special lockout screw and a tamperproof cover attached to the housing of the actuator with stainless steel wire. The lockout kits are readily available to permanently lock the actuator in place to prevent unwanted operation.

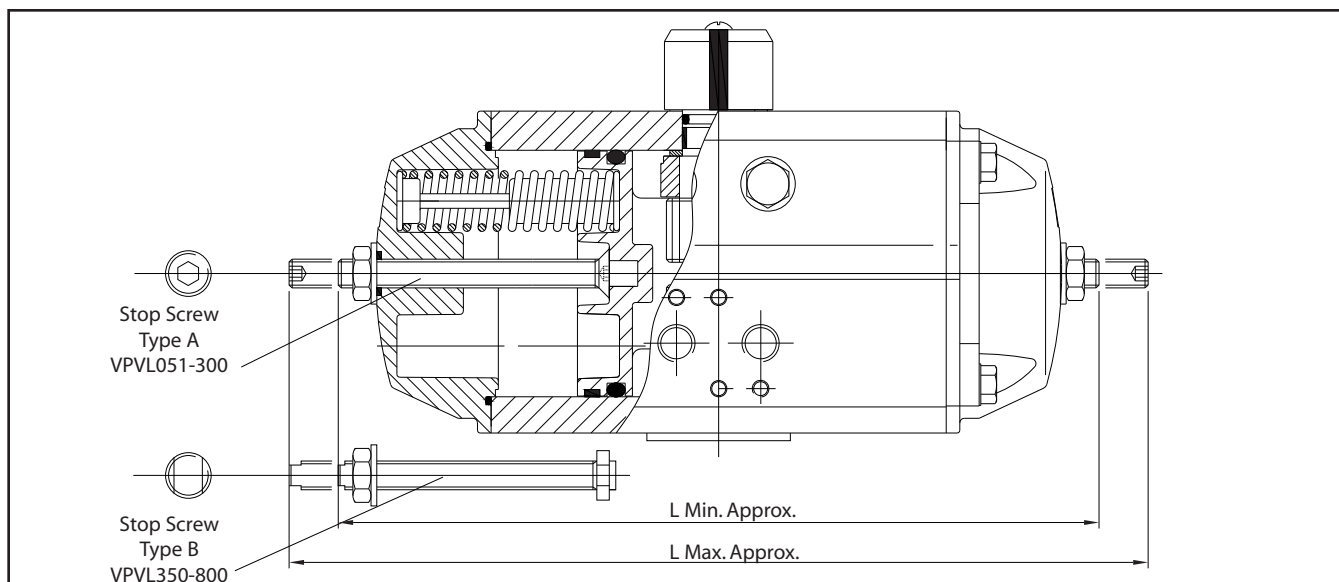
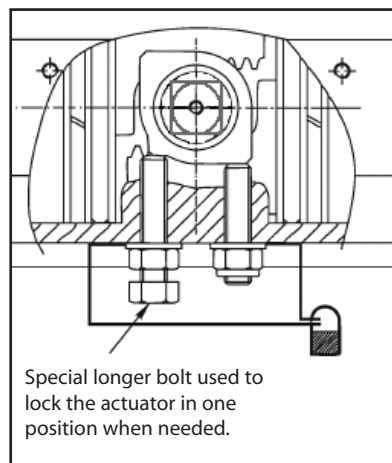
### 100% Adjustable Travel Stop

To limit the rotation on the stroke beyond the standard VPVL actuator, a stainless steel 100%-adjustable travel stop option can be added. The stops, located in the end caps,

allow the valve position to be set anywhere between full closed and full open. This option limits travel of only the counter-clockwise stroke for standard double-acting and spring-closed units. The 100% Adjustable Stop option is specified in the actuator ordering code.

Actuator	100% Travel Stop Lengths			
	L Min		L Max	
	inch	mm	inch	mm
VPVL051	6.2	158	7.3	186
VPVL100	7.2	184	8.5	216
VPVL200	9.5	242	11.3	286
VPVL250	11.0	280	13.0	330
VPVL300	11.9	303	14.1	359
VPVL350	14.0	356	16.7	424
VPVL400	14.5	368	17.5	444
VPVL450	17.7	449	21.1	537
VPVL500	18.1	461	21.9	555
VPVL550	20.9	531	24.8	631
VPVL600	24.7	628	29.1	739
VPVL650	25.7	653	30.9	785
VPVL700	30.0	762	36.1	918
VPVL800	35.8	910	42.8	1086

Lockout Kits	
VPVL051	LD98
VPVL100	LD99
VPVL200	LD100
VPVL250	LD101
VPVL300	LD102
VPVL350	LD103
VPVL400	LD104
VPVL450	LD105
VPVL500	LD106
VPVL550	LD107
VPVL600	LD108
VPVL650	LD109
VPVL700	LD110
VPVL800	LD111

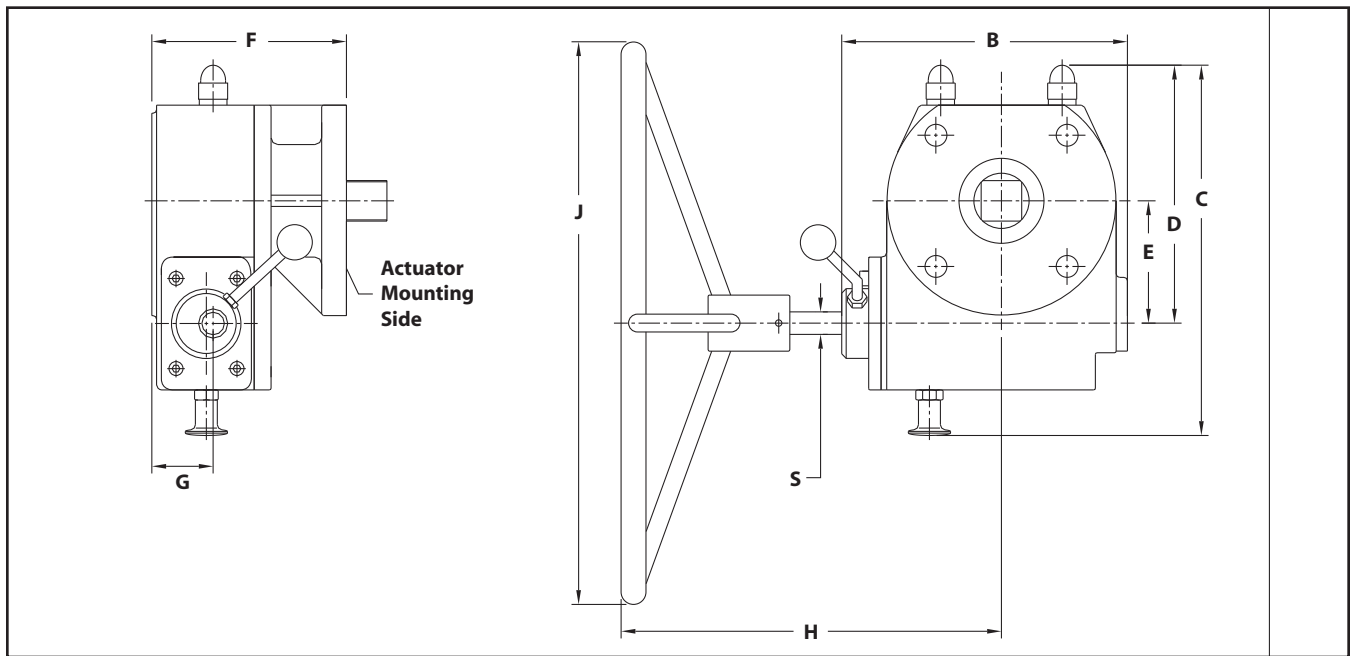


### Declutchable Manual Override

A side-declutchable manual override is available for VPVL actuators. It consists of a manual gear actuator mounted between the actuator and the valve. The device is normally disengaged from the shaft. Upon engagement of the override clutch, overriding the actuator is done with ease, aided by the high-reduction ratio of the manual gear unit.



### DIMENSIONS



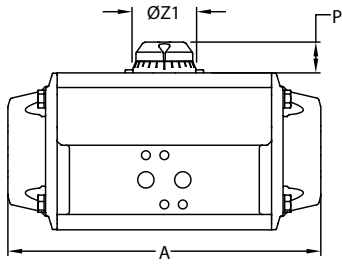
VPVL Actuator Model (DA or SR)	Declutchable Override Kit	Approximate Dimensions - Inches									Approx. Weight lbs.
		B	C	D	E	F	G	H	J	S	
VPVL250 and VPVL300	DO-1	5.75	6.89	5.61	2.36	4.53	1.44	8.94	7.87	0.47	22
VPVL350 and VPVL400	DO-2	7.68	9.49	6.06	2.48	5.63	2.09	10.28	7.87	0.59	40
VPVL450 and VPVL500	DO-3	8.74	11.12	7.46	3.31	6.30	2.48	10.63	11.81	0.79	50
VPVL550 and VPVL600	DO-4	9.84	12.84	9.00	4.23	6.77	2.36	13.31	19.69	0.79	84
VPVL650 and VPVL700*	DO-5	10.87	14.45	10.16	5.00	7.48	2.68	14.41	35.43	0.98	141
VPVL800	DO-6	13.39	16.69	12.32	6.06	8.07	3.07	15.63	39.37	0.98	201

\* The VPVL700 DA unit may be used if the air pressure required to produce the needed output torque is lower than 95 psi.

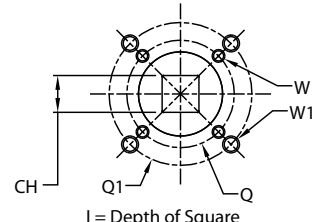
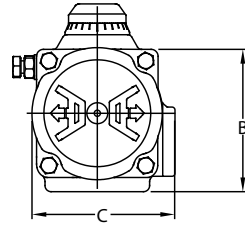
VPVL Actuator Model (DA or SR)	Declutchable Override Kit	Approximate Dimensions - mm									Approx. Weight kgs.
		B	C	D	E	F	G	H	J	S	
VPVL250 and VPVL300	DO-1	146	175	142	60	115	37	227	200	12	10
VPVL350 and VPVL400	DO-2	195	241	154	63	143	53	261	200	15	18
VPVL450 and VPVL500	DO-3	222	282	190	84	160	63	270	300	20	23
VPVL550 and VPVL600	DO-4	250	326	228	107	172	60	338	500	20	38
VPVL650 and VPVL700*	DO-5	276	367	258	127	190	68	366	900	25	64
VPVL800	DO-6	340	424	313	154	205	78	397	1000	25	91

\* The VPVL700 DA unit may be used if the air pressure required to produce the needed output torque is lower than 6.5 bar.

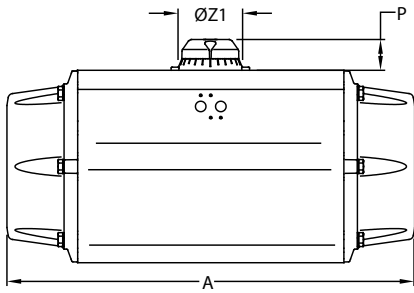
**DIMENSIONS**



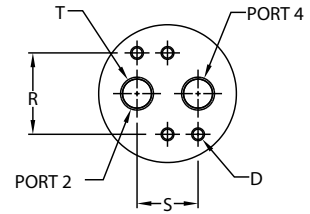
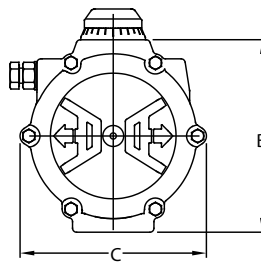
VPVL051 thru VPVL650



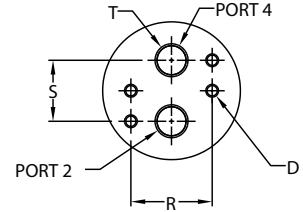
Bottom View ISO 5211



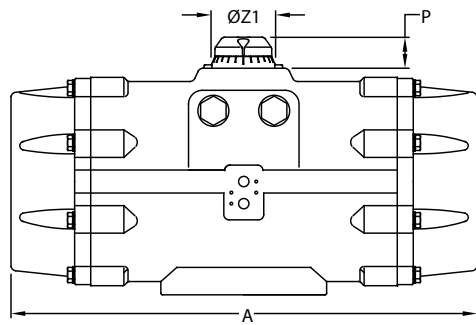
VPVL700



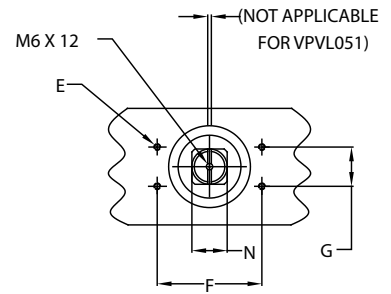
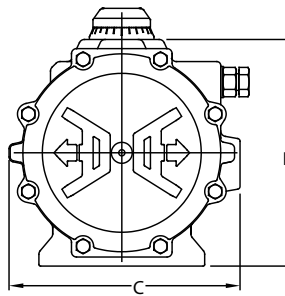
VPVL051 thru VPVL600



VPVL650 thru VPVL800  
4 X 4

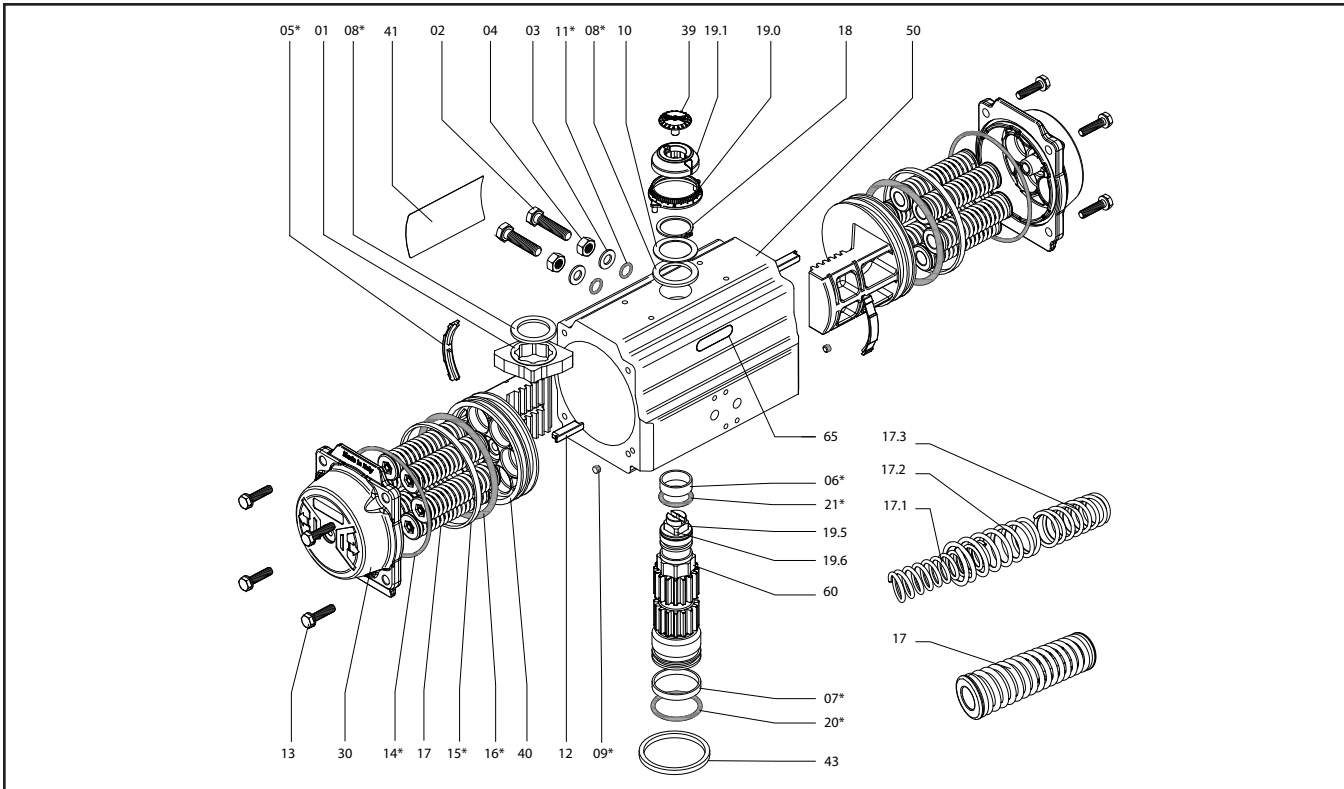


VPVL800



Size	Dimensions - inches														Weight - pounds							
	A	B	C	D	E	F	G	N	P	R	S	T (NPT)	Z	ISO Flange	Q	Q1	W	W1	CH	I	DA	SR
VPVL051	5.39	2.72	2.83	M5 X 0.31	M5 X 0.31	3.15	1.18	0.43	0.79	1.26	0.94	1/8"	1.65	F03 + F05	1.42	1.97	M5	M6	0.43	0.47	2.2	2.4
VPVL100	6.04	3.35	3.33	M5 X 0.31	M5 X 0.31	3.15	1.18	0.43	0.79	1.26	0.94	1/8"	1.65	F05 + F07	1.97	2.76	M6	M8	0.55	0.63	3.5	3.7
VPVL200	8.01	4.02	3.66	M5 X 0.31	M5 X 0.31	3.15	1.18	0.67	0.79	1.26	0.94	1/8"	1.65	F05 + F07	1.97	2.76	M6	M8	0.55	0.63	6.0	6.8
VPVL250	9.49	4.53	4.06	M5 X 0.31	M5 X 0.31	3.15	1.18	0.67	0.79	1.26	0.94	1/8"	1.65	F05 + F07	1.97	2.76	M6	M8	0.75	0.83	8.2	9.5
VPVL300	10.20	5.00	4.67	M5 X 0.31	M5 X 0.31	3.15	1.18	0.67	0.79	1.26	0.94	1/4"	1.65	F07 + F10	2.76	4.02	M8	M10	0.75	0.83	11.5	13.4
VPVL350	11.97	5.71	5.39	M5 X 0.31	M5 X 0.31	3.15	1.18	1.06	1.18	1.26	0.94	1/4"	2.28	F07 + F10	2.76	4.02	M8	M10	0.87	0.94	17.6	20.5
VPVL400	13.11	6.18	5.79	M5 X 0.31	M5 X 0.31	3.15	1.18	1.06	1.18	1.26	0.94	1/4"	2.28	F07 + F10	2.76	4.02	M8	M10	0.87	0.94	21.6	25.8
VPVL450	15.53	6.97	6.54	M5 X 0.31	M5 X 0.31	3.15	1.18	1.06	1.18	1.26	0.94	1/4"	2.66	F10 + F12	4.02	4.92	M10	M12	1.06	1.38	31.3	38.4
VPVL500	16.63	7.72	7.13	M5 X 0.31	M5 X 0.31	3.15	1.18	1.06	1.18	1.26	0.94	1/4"	2.66	F10 + F12	4.02	4.92	M10	M12	1.06	1.38	39.9	49.2
VPVL550	18.66	8.68	7.87	M5 X 0.31	M5 X 0.31	5.12	1.18	1.42	1.97	1.26	0.94	1/4"	3.15	F14	5.51	5.51	M16	-	1.42	1.57	53.6	72.1
VPVL600	20.79	9.65	8.58	M5 X 0.31	M5 X 0.31	5.12	1.18	1.42	1.97	1.26	0.94	1/4"	3.15	F14	5.51	5.51	M16	-	1.42	1.57	75.2	92.4
VPVL650	23.82	11.75	10.16	M6 X 0.39	M5 X 0.31	5.12	1.18	1.42	1.97	1.77	1.57	3/8"	4.53	F16	6.50	6.50	M20	-	1.81	1.89	116.2	148.4
VPVL700	27.95	12.99	12.56	M6 X 0.39	M5 X 0.31	5.12	1.18	1.42	1.97	1.77	1.57	1/2"	4.53	F16	6.50	6.50	M20	-	1.81	1.97	163.1	205.0
VPVL800	34.49	16.14	16.46	M6 X 0.39	M5 X 0.31	5.12	1.18	1.42	1.97	1.77	1.57	1/2"	4.53	F16 + F25	6.50	10.00	M20	M16	2.17	2.24	280.0	372.6

Size	Dimensions - millimeters														Weight - kilograms							
	A	B	C	D	E	F	G	N	P	R	S	T (NPT)	Z	ISO Flange	Q	Q1	W	W1	CH	I	DA	SR
VPVL051	137.0	69	72	M5 X 8	M5 X 8	80	30	11	20	32	24	1/8"	42	F03 + F05	36	50	M5	M6	11	12	1.0	1.1
VPVL100	153.5	85	85	M5 X 8	M5 X 8	80	30	11	20	32	24	1/8"	42	F05 + F07	50	70	M6	M8	14	16	1.6	1.7
VPVL200	203.5	102	93	M5 X 8	M5 X 8	80	30	17	20	32	24	1/8"	42	F05 + F07	50	70	M6	M8	14	16	2.7	3.1
VPVL250	241.0	115	103	M5 X 8	M5 X 8	80	30	17	20	32	24	1/8"	42	F05 + F07	50	70	M6	M8	19	21	3.7	4.3
VPVL300	259.0	127	119	M5 X 8	M5 X 8	80	30	17	20	32	24	1/4"	42	F07 + F10	70	102	M8	M10	19	21	5.2	6.1
VPVL350	304.0	145	137	M5 X 8	M5 X 8	80	30	27	30	32	24	1/4"	58	F07 + F10	70	102	M8	M10	22	24	8.0	9.3
VPVL400	333.0	157	147	M5 X 8	M5 X 8	80	30	27	30	32	24	1/4"	58	F07 + F10	70	102	M8	M10	22	24	9.8	11.7
VPVL450	394.5	177	166	M5 X 8	M5 X 8	80	30	27	30	32	24	1/4"	68	F10 + F12	102	125	M10	M12	27	35	14.2	17.4
VPVL500	422.5	196	181	M5 X 8	M5 X 8	80	30	27	30	32	24	1/4"	68	F10 + F12	102	125	M10	M12	27	35	18.1	22.3
VPVL550	474.0	221	200	M5 X 8	M5 X 8	130	30	36	50	32	24	1/4"	80	F14	140	140	M16	-	36	40	24.3	32.7
VPVL600	528.0	245	218	M5 X 8	M5 X 8	130	30	36	50	32	24	1/4"	80	F14	140	140	M16	-	36	40	34.1	41.9
VPVL650	605.0	299	258	M6 X 10	M5 X 8	130	30	36	50	45	40	3/8"	115	F16	165	165	M20	-	46	48	52.7	67.3
VPVL700	710.0	330	319	M6 X 10	M5 X 8	130	30	36	50	45	40	1/2"	115	F16	165	165	M20	-	46	50	74.0	93.0
VPVL800	876.0	410	418	M6 X 10	M5 X 8	130	30	36	50	45	40	1/2"	115	F16 + F25	165	254	M20	M16	55	57	127.0	169.0



**BILL OF MATERIALS AND PARTS LIST**

No.	Unit Qty	Part Description	Material	Specifications	Corrosion Protection
1	1	Octi-Cam (Stop Arrangement)	Stainless Steel1	EN 10088-3/ISO 10831	
2	2	Stop Cap Screw	Stainless Steel	ASTM A193	
3	2	Washer (Stop Cap Screw)	Stainless Steel	ISO 3506	
4	2	Nut (Stop Cap Screw)	Stainless Steel	ISO 3506	
5*	2	Bearing (Piston Back)	Polyphthalamide	Amodel ET1001HS	
6*	1	Bearing (Pinion Top)	Polyetherimide	Stanyl TW300	
7*	1	Bearing (Pinion Bottom)	Polyetherimide	Stanyl TW300	
8*	2	Thrust Bearing (Pinion)	Polyphthalamide	Amodel ET1001HS	
9*	2	Plug (Transfer Port)	Nitrile Rubber	NBR 70Shore A	
10	1	Thrust Washer (Pinion)	Stainless Steel	EN 10088-3	
11*	2	O-ring (Stop Cap Screw Seal)	Nitrile Rubber	NBR 70Shore A	
12	2	Piston Guide	Polyphthalamide GF	Amodel AS1145	
13	8/12/ 2	Cap Screw (End Cap)	Stainless Steel	ISO 3506	
14*	2	O-ring (End Cap)	Nitrile Rubber	NBR 70Shore A	
15*	2	Bearing (Piston Head)	Polyphthalamide	Amodel ET1001HS	
16*	2	O-ring (Piston)	Nitrile Rubber	NBR 70Shore A	
17	min. 4/ max.12	Spring (Cartridge)	Alloy Steel	DIN 17223 Part2	Epoxy Coated
17.1	max.2	Spring	Alloy Steel	DIN 17223 Part2	Epoxy Coated
17.2					
17.3					
18	1	Spring Clip (Pinion)	Carbon Steel	DIN 17222	ENP
19	1	Position Indicator3	High-grade Polymer/Stainless Steel		
19.0	1	Graduated Ring	High-grade Polymer		
19.1	1	Position Indicator	High-grade Polymer		
19.5	1	Top Adapter	Extruded Aluminum		
19.6	1	Hex Socket Screw	Stainless Steel		
20*	1	O-ring (Pinion Bottom)	Nitrile Rubber	NBR 70Shore A	
21*	1	O-ring (Pinion Top)	Nitrile Rubber	NBR 70Shore A	
30	1	End Cap	Aluminum	UNI 5075	Polyester-Coated
39	1	Cap Screw (Indicator)	Stainless Steel	ISO 3506	
40	2	Pistons	Aluminum	UNI 5075	Anodized
41	1	Actuator Identification Label	Polyester Aluminum		
50	1	Body	Aluminum	ASTM B221	Anodized PTFE-Coated
60	1	Drive Shaft	Carbon Steel Plated	ASTM A105	ENP
65	1	Plastic Label	High-grade Polymer		

\* Suggested spare parts for maintenance

Notes: (1) AISI 420 for models VPVL-051 through 300; GS400-15 for models VPVL-350 through 800

(2) Qty 8 pieces for models VPVL-051 through 650; Qty 12 pieces for model VPVL-700 through 750; Qty 16 pieces for model VPVL800

(3) For models VPVL051 through 100



## HOW TO ORDER

To specify a complete **Valv-Powr** Value-Line® Actuator, simply make a selection from the code boxes below.

**EXAMPLE:** VPVL 400 SR4/5 B AS D, shown below, is a 59 FT•LBS 60-psi (84 N•m @ 4.2 bar) spring-return actuator with spring-to-close rotation, hard-anodized PTFE-coated body, polyester-coated end caps, standard temperature rating, and 100% adjustable travel stops.

1	2	3	4	5	6	7
VPVL	400	SR4/5	B	AS	D	—

**NOTE:** for multiple options, specify them in order as listed in Item 5, for example: VPVL400 SR4/5 B HT AS Model C.

1	Product Group
VPVL	<b>Valv-Powr Value-Line</b> Double-Opposed Piston Actuator

2	Size
051, 100, 200, 250, 300, 350, 400, 450, 500, 550, 600, 650, 700, 800	Select from torque table

3	Series+
DA	<b>Valv-Powr Value-Line</b> Double-Opposed Piston Actuator
SR4/5	Spring-Return 60-psi (4.1 bar) Spring-to-Close (CW Rotation)
SR6	Spring-Return 80-psi (5.5 bar) Spring-to-Close (CW Rotation)

+ Other spring rates on application

4	Exterior Protection*
B	Hard-Anodized PTFE-Coated Body & Polyester-Coated End Caps

\* Consult factory for other protection options.

5	Options
—	Standard Temperature Rating: -40°F to +176°F (-40°C to +80°C)
HT	High-Temperature Rating: +5°F to +302°F (-15°C to +150°C)
LX	Low-Temperature Rating: -60°F to +176°F (-51°C to +80°C)
FO	Spring-to-Open (CCW Rotation)
AS	100% Travel Stop
LD	Mechanical Safety Lockout

Note\* "LX" option must be ordered complete from the factory.

6	Model
D	Model D

7	Modifier Code
—	Standard

Subject to change without prior notice.

**Metso Automation Inc.**

**Europe**, Vanha Porvoontie 229, P.O. Box 304, FI-11301 Vantaa, Finland.  
Tel. +358 20 483 150. Fax +358 20 483 151

**North America**, 44 Bowditch Drive, P.O. Box 8044, Shrewsbury, MA 01545, USA.  
Tel. +1 508 852 0200. Fax +1 508 852 8172

**South America**, Av. Independência, 2500- Iporanga, 18087-101, Sorocaba-São Paulo  
Brazil. Tel. +55 15 2102 9700. Fax +55 15 2102 9748/49

**Asia Pacific**, 20 Kallang Avenue, Lobby B, #06-00, PICO Creative Centre, Singapore 339411, Singapore.  
Tel. +65 6511 1011. Fax +65 6250 0830

**China**, 19/F, the Exchange Beijing, No. 118, Jianguo Lu Yi, Chaoyang Dist, 100022 Beijing, China.  
Tel. +86-10-6566-6600. Fax +86-10-6566-2575

**Middle East**, Roundabout 8, Unit AB-07, P.O. Box 17175, Jebel Ali Freezone, Dubai,  
United Arab Emirates. Tel. +971 4 883 6974. Fax +971 4 883 6836

[www.metso.com/automation](http://www.metso.com/automation)

